

12.1 inch Capacitive Touch Panel PC

Model: YT121PC

Appearance



Specification

PC	
CPU Standard	Intel® Celeron J6412 quad core, 2.0 Ghz (formerly Elkhart Lake)
Memory	4 GB
Hard Drive Capacity	64 GB SSD
Graphics	CPU Integrated graphics HD Graphics and support 1080p HD photo quality
Audio	Realtek ALC662, High Definition Audio (HD), Line in, Line out
Network	1× Realtek RTL 8111E Gigabit Ethernet controller
Expansion	2x Mini-PCIE expansion slot, support WIFI/3G/4G/MSTA/GPS
Ports	4x USB
	1x HDMI
	1x VGA
	1x LAN
	1x EAR

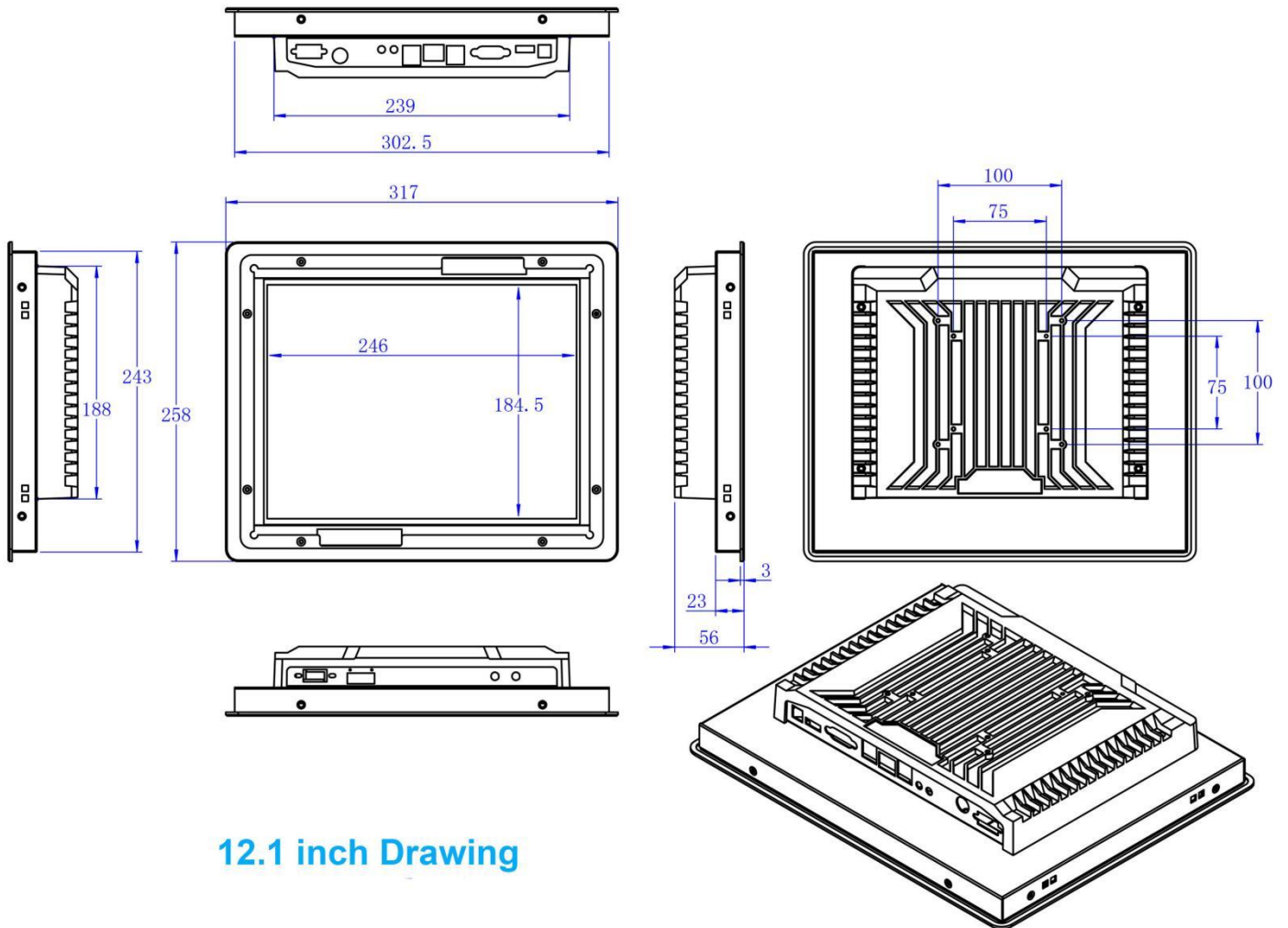
12.1 inch Capacitive Touch Panel PC

	1x RS232 , 1x RS485
	1x MIC
	Power DC12V
Operation System	Win10 pro test version
LCD panel	
Panel size	12.1"
Display ratio	4:3
Resolution	1024*768
Brightness	350cd/m2
Response time	15ms
Contrast ratio	800:1
View angle	80°/80°/75°/75° (R/L/U/D)
Protection Ratings	IP65
Touch panel	
Touchscreen Type	10 points projective Capacitive touch
Touch Interface	USB
Touch response time	<8ms
Luminousness	75-85%
Power Supply	
External Power Supply	AC 100 - 240V
Working voltage	DC12V
Power consumption	≤60W
Operating Environment	
Temperature range	operating: -10 to 60°C, storage :-20 to 70°C
Relative humidity	5%~95% @ 40° C, non-condensing
Vibration	5-500 Hz, 0.026 G ² /Hz, 2.16 Grms, X, Y, Z, 1 hour per axis
Packing Details	
Packing detail	1 panel PC in one carton
Weight (G.W.)	9.5KG around per carton
Accessories	Power adapter, Wifi antenna, 4 piece Mounting Clamp + screws
Other	
Mounting	Embedded screw, VESA 100×100mm

12.1 inch Capacitive Touch Panel PC

Certification	CE, FCC, RoHS
Warranty	1 year warranty

Drawing:



12.1 inch Drawing

Contact information

SINUS-ELEKTROTECHNIKAI BT.

Móra tér 17.

9028 Győr

HUNGARY

Email: info@s-e.hu

Web: www.s-e.hu

: